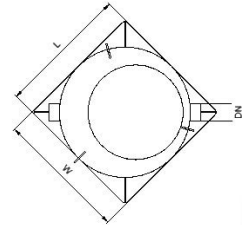
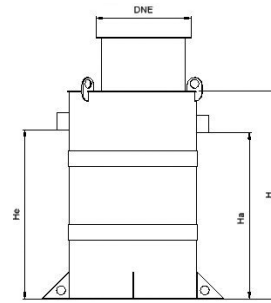
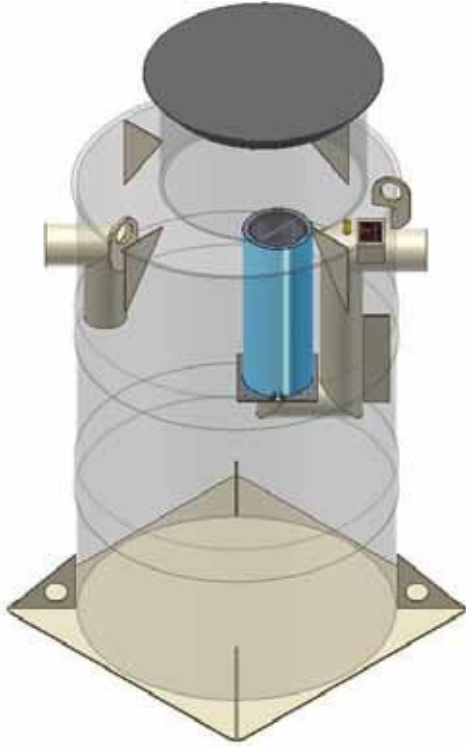


AQUAFIX® - SKPP Separator de hidrocarburi cu filtru coalescent si decantor de namol



	Lun- gime mm	Lati- me mm	Inalti- me mm	Debit max. l/s	Ø Sepe- rator mm	Capa- citate decan- tor l	Capa- citate sepa- rator l	DN intr./ iesire mm	HE intrare mm	H iesire mm	HA H mm	DNE capac 1	DNE capac 2	Greu- tate kg	Capaci- tate stocare l	Articol Nr.
SKPP 04/0400	1000	1000	1840	4	938	424	478	100	1071	1046	800	-	67,0	142	284004	
SKPP 06/0600	1000	1000	2345	6	938	603	478	150	1551	1526	800	-	82,0	142	284006	
SKPP 06/1200	1240	1240	2480	6	1174	1211	551	150	1604	1579	800	-	120,0	226	284106	
SKPP 10/1000	1240	1240	2480	10	1174	1011	751	150	16084	1579	800	-	120,0	222	284010	
SKPP 10/2500	1500	1500	3074	10	1418	2500	1084	150	2198	2173	800	-	160,0	353	284110	
SKPP 15/1500	1500	1500	2704	15	1414	1547	1325	200	1808	1783	800	-	230,0	353	284015	
SKPP 15/3000	2000	2000	2804	15	1886	3023	2364	200	1908	1883	800	-	280,0	573	284115	
SKPP 20/2000	2000	2000	2446	20	1886	2020	2364	200	1550	1525	800	-	256,0	573	284020	
SKPP 20/4000	2500	2500	2654	20	2356	4026	3670	200	1758	1733	800	-	340,0	890	284120	

AQUAFIX® OTEL „G”

AQUAFIX® OTEL „K”

AQUAFIX® BETON

AQUAFIX® „10 PE”

AQUAFIX® „PP”

INSTRUCTIUNI
DE INSTALARE