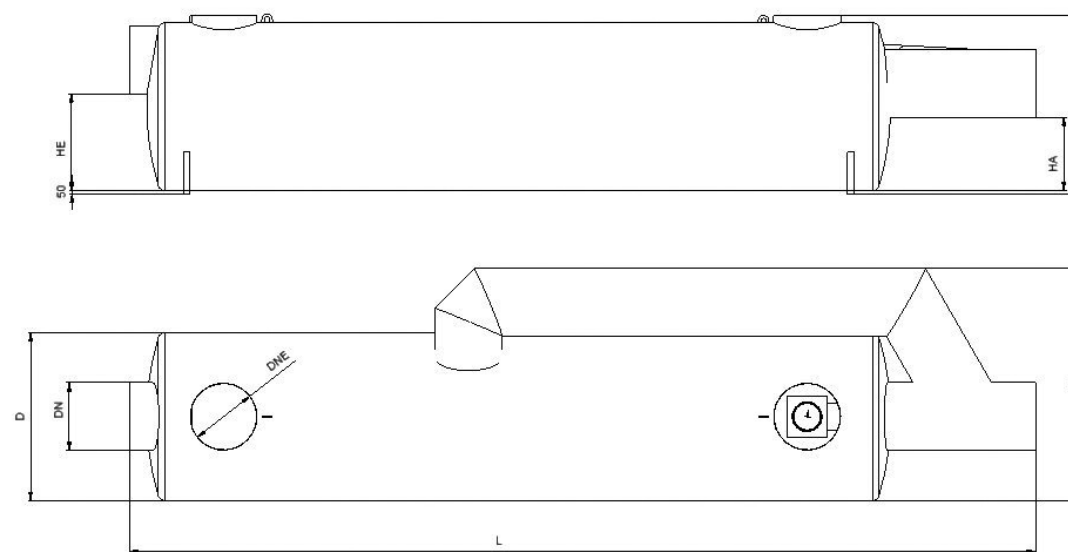
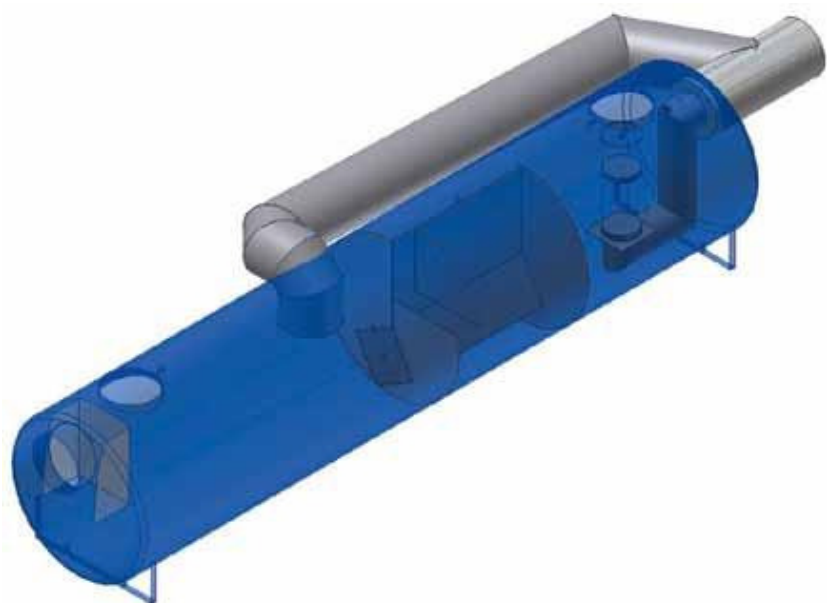


AQUAFIX® SEPARATOARE DIN OTEL - SERIA G

AQUAFIX® - SKG2BP Separator de hidrocarburi cu filtru coalescent, decantor de namol si bypass cu debit marit



	Lungime mm	Latime mm	Inaltime mm	Debit max. l/s	ø Seperator mm	Capacitate decanor l
SKG2BP 015	5000	1700	1400	150	1238	1510
SKG2BP 020	6300	1700	1400	200	1238	2310
SKG2BP 025	5100	2100	1750	250	1588	2990
SKG2BP 030	7100	2100	1750	300	1588	4050
SKG2BP 035	7100	2100	1750	350	1588	4050
SKG2BP 040	8200	2100	1750	400	1588	4860
SKG2BP 045	6000	2500	2150	450	1988	5310
SKG2BP 050	6200	2500	2150	500	1988	5690
SKG2BP 055	7400	2600	2150	550	1988	6110
SKG2BP 060	7400	2600	2150	600	1988	6110
SKG2BP 065	8200	2600	2150	650	1988	7520
SKG2BP 070	9100	2600	2150	700	1988	8460
SKG2BP 075	9100	2600	2150	750	1988	8460
SKG2BP 080	11900	2900	2150	800	1988	8850
SKG2BP 090	9000	3300	2650	900	2488	9950
SKG2BP 100	9000	3300	2650	1000	2488	9950
SKG2BP 120	10700	3300	2650	1200	2488	13860
SKG2BP 130	11500	3300	2650	1300	2488	14580
SKG2BP 140	13000	3500	2650	1400	2488	15970
SKG2BP 150	13500	3500	2650	1500	2488	16890
SKG2BP 160	14500	3500	2650	1600	2488	18120
SKG2BP 170	15000	3500	2650	1700	2488	19350
SKG2BP 180	15800	3500	2650	1800	2488	20270
SKG2BP 200	11800	3900	3050	2000	2888	20640
SKG2BP 250	13700	3900	3050	2500	2888	25220

Capacitate separator l	DN intr./iesire mm	HE H intrare mm	HA H iesire mm	DNE gura de vizi- tare 1	DNE gura de vizi- tare 2	Greutate kg	Capacitate stocare l	Articol Nr.
1740	400	820	670	625	625	2300,0	812	184015
2070	400	820	670	625	625	2700,0	967	184020
2940	400	1150	1000	1000	1000	2800,0	888	184025
4060	500	1050	850	1000	1000	3250,0	1116	184030
4060	500	1050	850	1000	1000	3300,0	1116	184035
4760	500	1050	850	1000	1000	3750,0	1456	184040
5370	500	1450	1300	1000	1000	3800,0	1493	184045
5490	500	1450	1300	1000	1000	3900,0	1551	184050
6320	600	1350	1150	1000	1000	4500,0	1784	184055
6320	600	1350	1150	1000	1000	4600,0	1784	184060
6990	600	1350	1150	1000	1000	4650,0	1962	184065
7900	600	1350	1150	1000	1000	5050,0	2081	184070
7900	600	1350	1150	1000	1000	5100,0	2081	184075
9330	800	1150	850	1000	1000	6400,0	3124	184080
12720	800	1650	1400	1000	1000	6700,0	2752	184090
12720	800	1650	1400	1000	1000	6800,0	2752	184100
15120	800	1650	1400	1000	1000	7500,0	3273	184120
16840	800	1650	1400	1000	1000	7900,0	3645	184130
14440	1000	1450	1100	1000	1000	8000,0	3795	184140
15320	1000	1450	1100	1000	1000	8200,0	4027	184150
16500	1000	1450	1100	1000	1000	8900,0	4337	184160
17090	1000	1450	1100	1000	1000	9500,0	4492	184170
18270	1000	1450	1100	1000	1000	10350,0	4802	184180
19120	1000	1850	1500	1000	1000	10800,0	3742	184200
22820	1000	1850	1450	1000	1000	11200,0	4654	184250