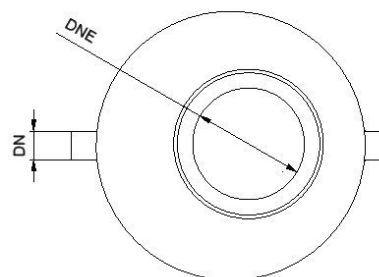
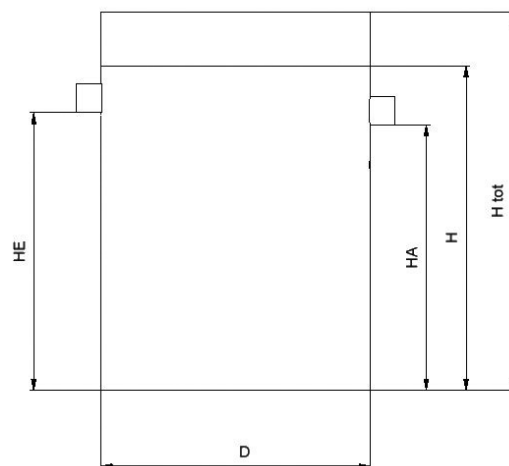
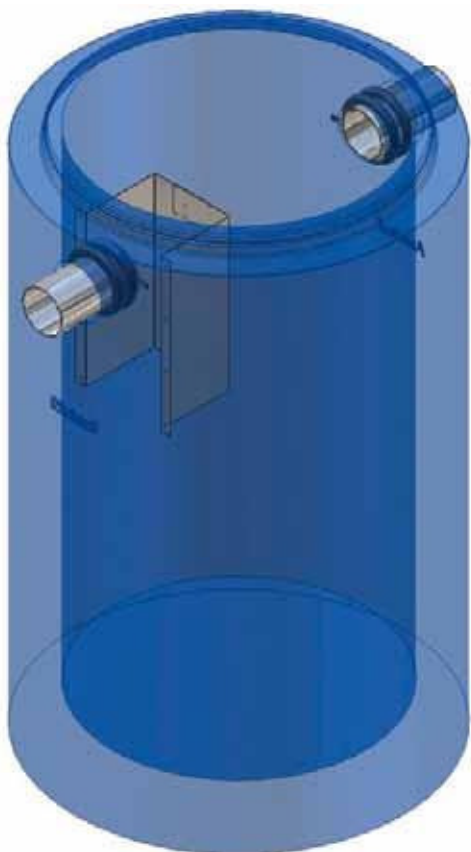


AQUAFIX® SEPARATOARE DIN BETON - SERIA H

AQUAFIX® - S Decantor de namol



| | Lun- gime mm | Lati- me mm | Inalti- me mm | max. ø Flow l/s | Sepe- rator mm | Capa- citate decan- tor l | Capa- citate sepa- rator l | DN intr./ iesire mm | HE H int- rare mm | HA H iesi- re mm | DNE gura de vizita- re 1 | DNE gura de vizita- re 2 | Greu- tate kg | Capa- citate stocare l | Articol Nr. |
|--------------|--------------------|-------------------|---------------------|-----------------------|----------------------|---------------------------------------|--|------------------------------|----------------------------|---------------------------|--------------------------------------|--------------------------------------|---------------------|---------------------------------|----------------|
| S 10/02500 H | 1740 | 1740 | 1950 | - | 1500 | 2500 | - | 150 | 1650 | 1625 | 800 | - | 3607,0 | - | 101105H |
| S 20/02500 H | 1740 | 1740 | 1950 | - | 1500 | 2500 | - | 200 | 1600 | 1575 | 800 | - | 3596,0 | - | 101205H |