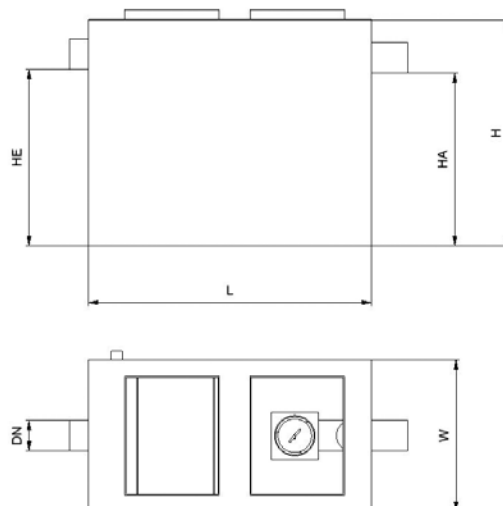
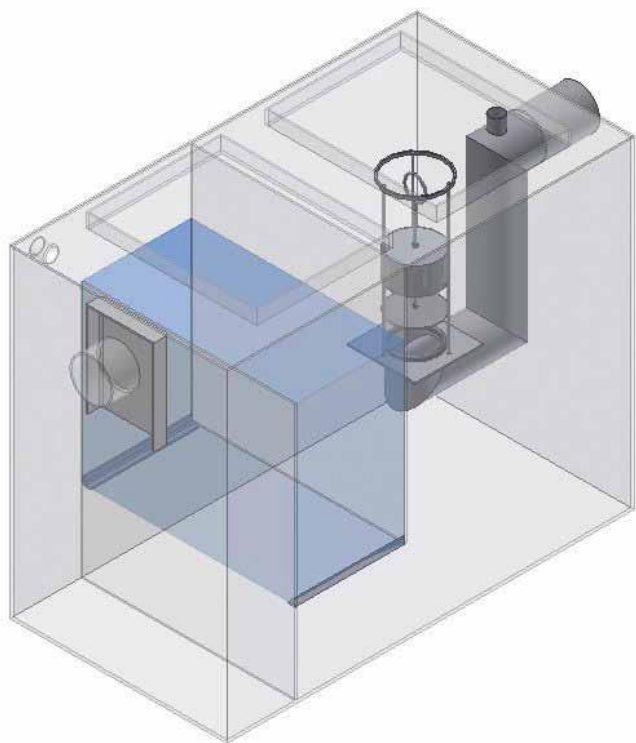


AQUAFIX® SEPARATOARE DIN OTEL - SERIA k

AQUAFIX® - Kk SEPARATOR DE HIDROCARBURI CU FILTRU COALESCENT



	Lun- gime mm	Latime mm	Inalti- me mm	Debit ϕ max. l/s	Sepe- rator mm	Capaci- tate de- cantor l	Capa- citate sepa- rator l	DN intr./ intra- iesire mm	HE H intra- re mm	HA H iesire mm	Gura de vizitare mari- mea 1	Gura de vizitare mari- mea 2	Greu- tate mm	Capa- citate stocare l	Articol Nr.
Kk 01,5	1000	600	800	1	-	87	261	100	600	580	1	1	265,0	120	87501
Kk 03	1000	600	1000	3	-	117	351	100	800	780	1	1	339,0	120	87503
Kk 04	1000	800	1000	4	-	156	468	100	800	780	1	1	419,0	160	87504
Kk 06	1200	800	1200	6	-	184	699	150	940	920	2	-	554,0	192	87506
Kk 08	1500	800	1200	8	-	184	920	150	940	920	2	-	664,0	240	87508
Kk 15	1500	1000	1500	15	-	295	1475	200	1200	1180	2	-	1010,0	300	87515
Kk 10	1500	800	1200	10	-	184	920	150	940	920	2	-	664,0	240	87510
Kk 20	1800	1000	1500	20	-	295	1829	200	1200	1180	2	-	1029,0	360	87520